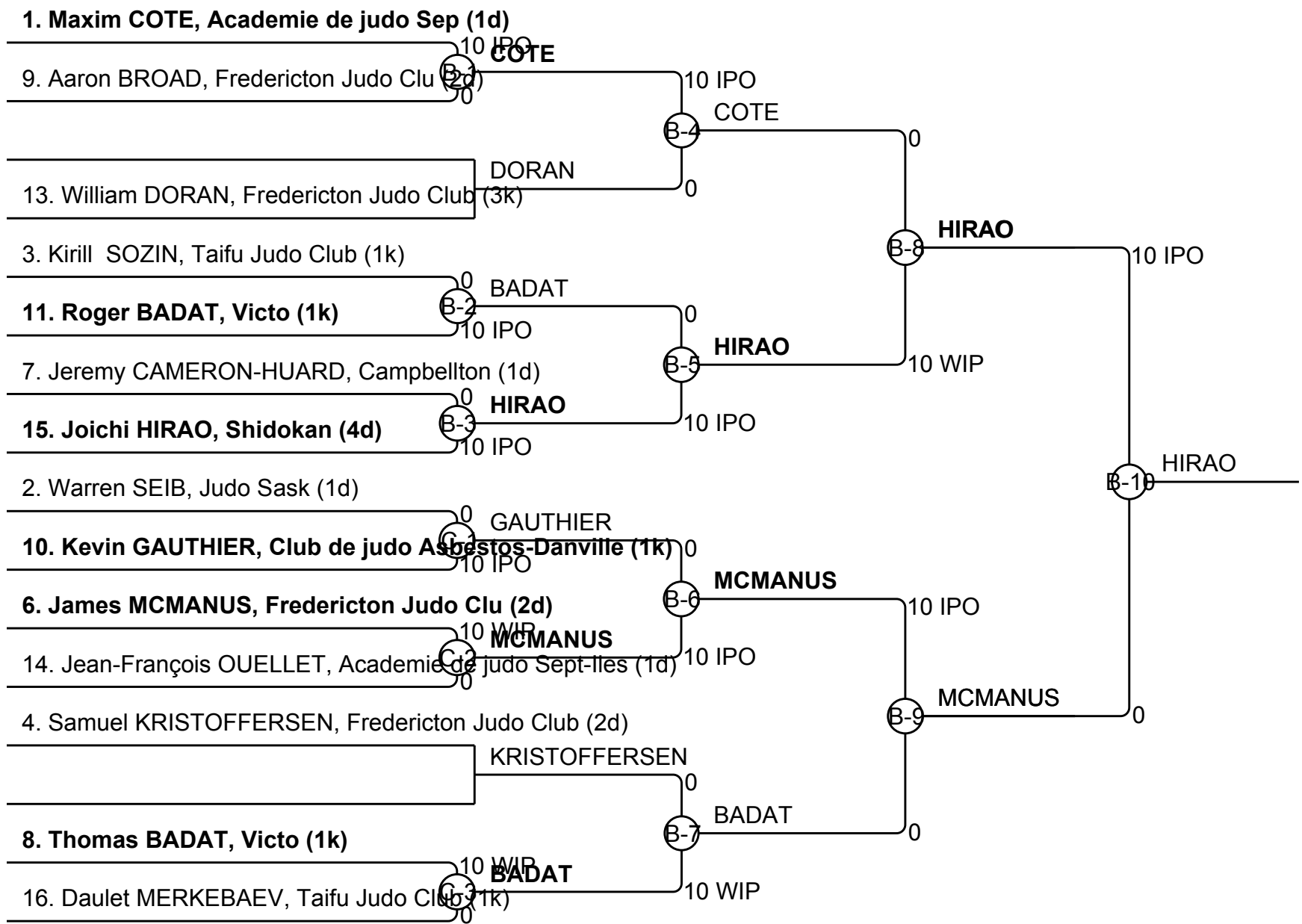


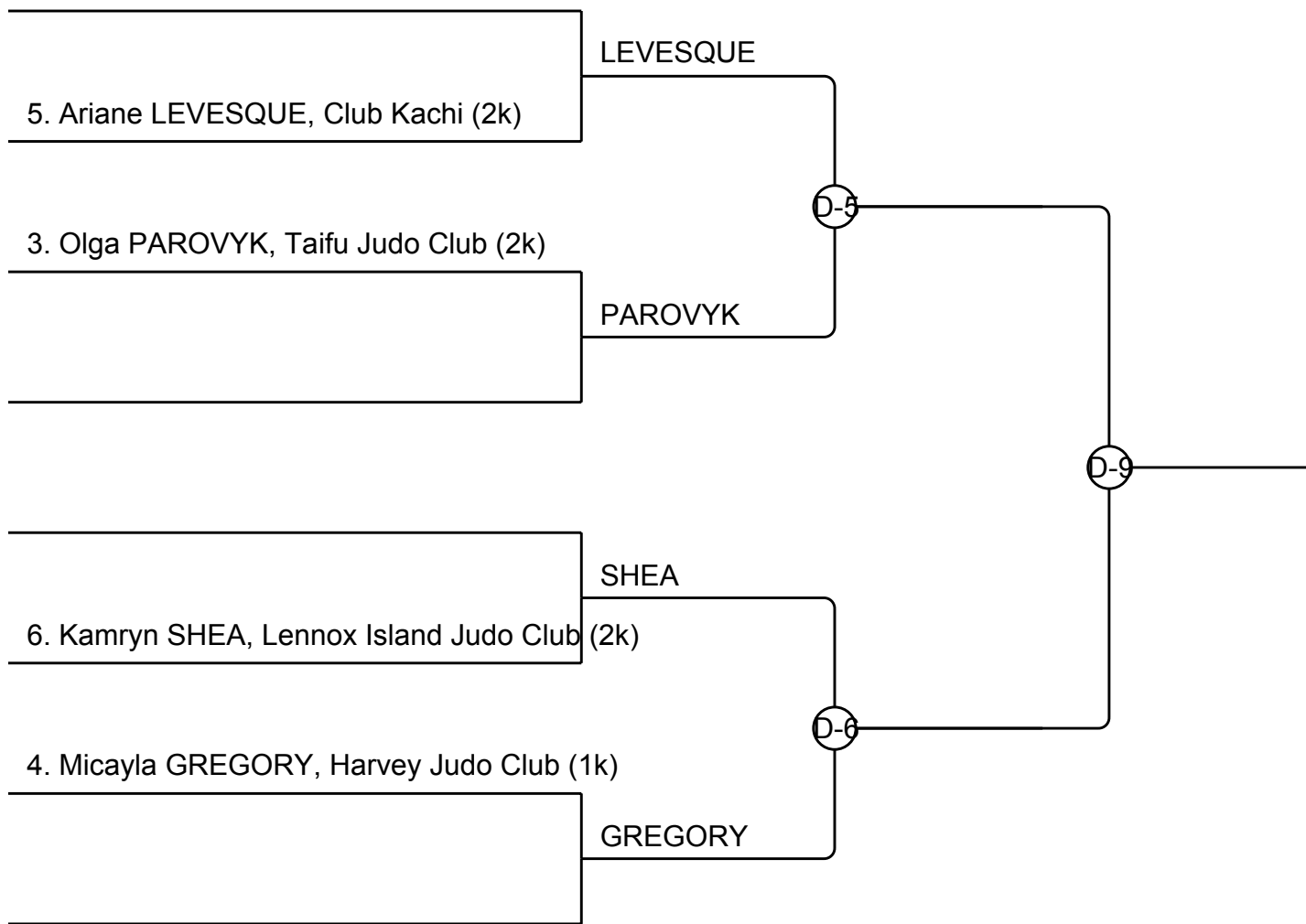
Results

| Pos | Name |
|-----|---------------------------------------|
| 1 | Alix RENAUD-ROY, Seikidokan |
| 2 | Adriana PORTUONDO ISASI, Boucherville |
| 3 | Jasmine PITSILIS, St-Hubert |
| 3 | Alicia BRIGGS, Lethbridge Kyodokan |
| | |
| | |
| | |
| | |



Results

| Pos | Name |
|-----|-------------------------------------|
| 1 | Joichi HIRAO, Shidokan |
| 2 | James MCMANUS, Fredericton Judo Clu |
| 3 | Maxim COTE, Academie de judo Sep |
| 3 | Thomas BADAT, Victo |
| | |
| | |
| | |
| | |

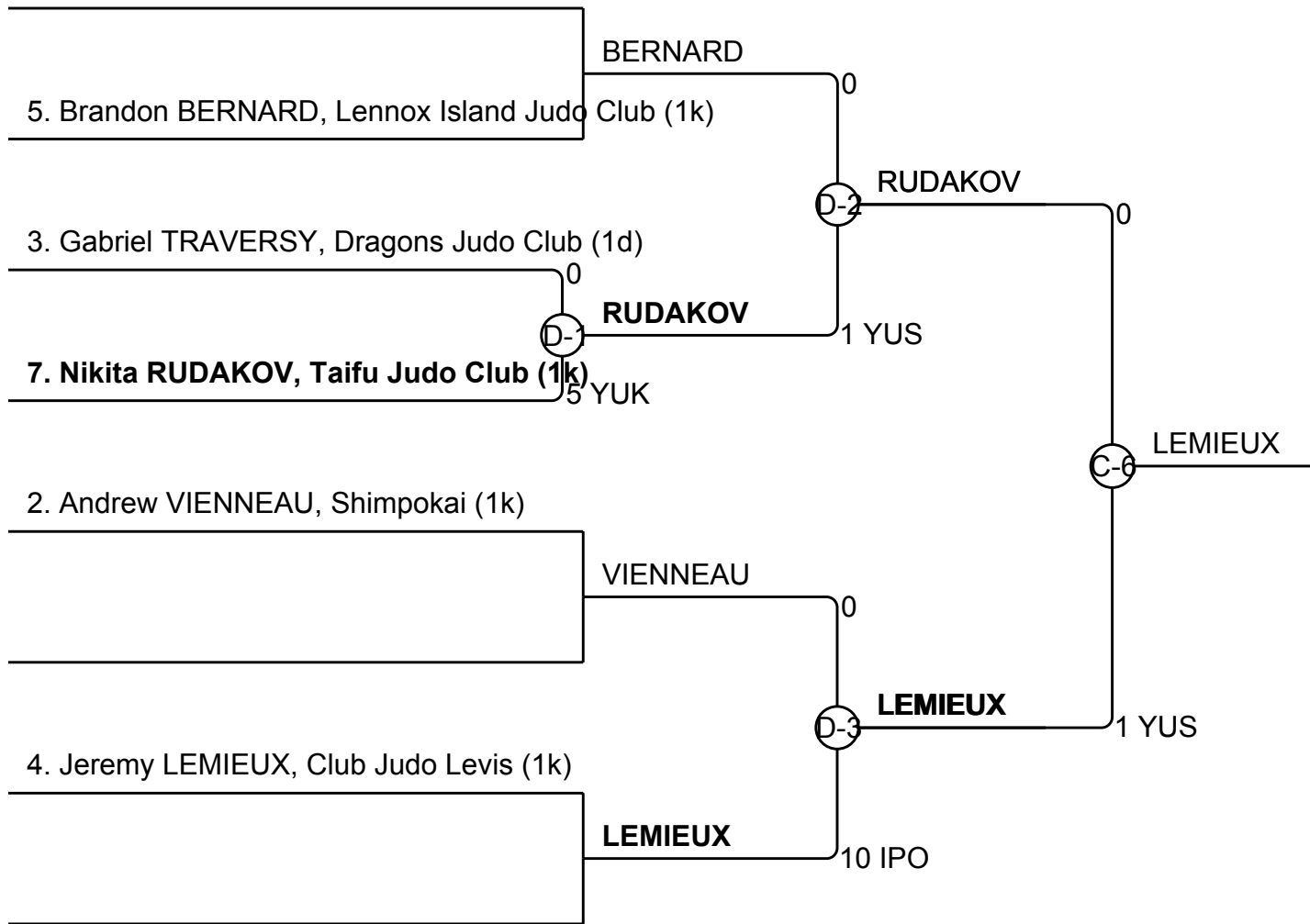


Results

| Pos | Name |
|-----|------|
| 1 | |
| 2 | |
| 3 | |
| 3 | |
| | |
| | |
| | |
| | |

Championnat de l'est-Dimanche 12 avril 2015 Edmundston OPEN U1

Competitors: 5



Results

| Pos | Name |
|-----|--|
| 1 | Jeremy LEMIEUX, Club Judo Levis |
| 2 | Nikita RUDAKOV, Taifu Judo Club |
| 3 | Brandon BERNARD, Lennox Island Judo Club |
| 3 | Andrew VIENNEAU, Shimpokai |
| | |
| | |
| | |
| | |

Competitors

| # | Name | Grade | Club | 1 | 2 | 3 | Wins | Pts | Pos |
|---|------------------|-------|-------------------|---|----|---|------|-----|-----|
| 1 | Anthony BRAULT | 3k | To Hakukan | | 10 | | 1 | 10 | 2 |
| 2 | Cedric LABRIE | 2k | To Hakukan | | | | 0 | 0 | 3 |
| 3 | Justin PELLETIER | 3k+ | Samurai Judo Club | 7 | 10 | | 2 | 17 | 1 |

Matches

| Match | White | | | Blue | Result | Time | Code |
|-------|-----------------------|---|---|-------------------------|--------|------|------|
| D-12 | Anthony BRAULT | 1 | 2 | Cedric LABRIE | 10 - 0 | 0:00 | FUS |
| D-13 | Anthony BRAULT | 1 | 3 | Justin PELLETIER | 0 - 7 | 2:00 | WAZ |
| D-14 | Cedric LABRIE | 2 | 3 | Justin PELLETIER | 0 - 10 | 0:00 | FUS |

Results

| Pos | Name |
|-----|-------------------------------------|
| 1 | Justin PELLETIER, Samurai Judo Club |
| 2 | Anthony BRAULT, To Hakukan |
| 3 | Cedric LABRIE, To Hakukan |

Championnat de l'est-Dimanche 12 avril 2015 Edmundston U14F Po

Competitors: 4

Competitors

| # | Name | Grade | Club | 1 | 2 | 3 | 4 | Wins | Pts | Pos |
|---|---------------------|-------|--------------|----|----|---|---|------|-----|-----|
| 1 | Lauren PURINTON | 1k | Shimpokai | | 7 | | 1 | 2 | 8 | 2 |
| 2 | Laurence HACHE | 4k+ | Otoshi | | | | | 0 | 0 | 4 |
| 3 | Eibhleann ALEXANDER | 2k | Shidokan | 10 | 10 | | 5 | 3 | 25 | 1 |
| 4 | Candice DRISCOLL | 2k | Ajax Budokan | | 10 | | | 1 | 10 | 3 |

Matches

| Match | White | | Blue | | Result | Time | Code |
|-------|----------------------------|---|------|----------------------------|--------|------|------|
| A-44 | Lauren PURINTON | 1 | 2 | Laurence HACHE | 7 - 0 | 2:00 | WAZ |
| A-45 | Eibhleann ALEXANDER | 3 | 4 | Candice DRISCOLL | 5 - 0 | 2:00 | YUK |
| A-50 | Lauren PURINTON | 1 | 3 | Eibhleann ALEXANDER | 0 - 10 | 1:48 | WIP |
| A-51 | Laurence HACHE | 2 | 4 | Candice DRISCOLL | 0 - 10 | 1:42 | WIP |
| A-56 | Lauren PURINTON | 1 | 4 | Candice DRISCOLL | 1 - 0 | 2:00 | YUS |
| A-57 | Laurence HACHE | 2 | 3 | Eibhleann ALEXANDER | 0 - 10 | 0:07 | IPO |

Results

| Pos | Name |
|-----|--------------------------------|
| 1 | Eibhleann ALEXANDER, Shidokan |
| 2 | Lauren PURINTON, Shimpokai |
| 3 | Candice DRISCOLL, Ajax Budokan |
| 4 | Laurence HACHE, Otoshi |

Championnat de l'est-Dimanche 12 avril 2015 Edmundston U14F Po

Competitors: 3

Competitors

| # | Name | Grade | Club | 1 | 2 | 3 | Wins | Pts | Pos |
|---|------------------|-------|-------------------------|----|---|----|------|-----|-----|
| 1 | Catie CYR | 3k+ | Shimpokai | | | | 0 | 0 | 3 |
| 2 | Gabrielle PICARD | 2k | Club Kimo | 10 | | 10 | 2 | 20 | 1 |
| 3 | Loren ENMAN | 3k | Lennox Island Judo Club | 10 | | | 1 | 10 | 2 |

Matches

| Match | White | | | Blue | Result | Time | Code |
|-------|-------------------------|---|---|-------------------------|--------|------|------|
| A-46 | Catie CYR | 1 | 2 | Gabrielle PICARD | 0 - 10 | 0:35 | WIP |
| A-52 | Catie CYR | 1 | 3 | Loren ENMAN | 0 - 10 | 0:36 | IPO |
| A-58 | Gabrielle PICARD | 2 | 3 | Loren ENMAN | 10 - 0 | 0:23 | WIP |

Results

| Pos | Name |
|-----|--------------------------------------|
| 1 | Gabrielle PICARD, Club Kimo |
| 2 | Loren ENMAN, Lennox Island Judo Club |
| 3 | Catie CYR, Shimpokai |

Championnat de l'est-Dimanche 12 avril 2015 Edmundston U14F Po

Competitors: 4

Competitors

| # | Name | Grade | Club | 1 | 2 | 3 | 4 | Wins | Pts | Pos |
|---|------------------|-------|-------------------|---|----|----|----|------|-----|-----|
| 1 | Laurence PARADIS | 4k | Judo tani | | 10 | 10 | 10 | 3 | 30 | 1 |
| 2 | Anne GARNEAU | 4k | Club Judo Levis | | | | | 0 | 0 | 4 |
| 3 | Vanessa CAOUETTE | 5k | Club Kimo | | 10 | | 10 | 2 | 20 | 2 |
| 4 | Arriana MOORE | 4k | Samurai Judo Club | | 10 | | | 1 | 10 | 3 |

Matches

| Match | White | | | Blue | Result | Time | Code |
|-------|-------------------------|---|---|-------------------------|--------|------|------|
| A-47 | Laurence PARADIS | 1 | 2 | Anne GARNEAU | 10 - 0 | 0:25 | IPO |
| A-48 | Vanessa CAOUETTE | 3 | 4 | Arriana MOORE | 10 - 0 | 1:49 | IPO |
| A-53 | Laurence PARADIS | 1 | 3 | Vanessa CAOUETTE | 10 - 0 | 0:24 | IPO |
| A-54 | Anne GARNEAU | 2 | 4 | Arriana MOORE | 0 - 10 | 0:00 | FUS |
| A-59 | Laurence PARADIS | 1 | 4 | Arriana MOORE | 10 - 0 | 1:27 | WIP |
| A-60 | Anne GARNEAU | 2 | 3 | Vanessa CAOUETTE | 0 - 10 | 0:00 | FUS |

Results

| Pos | Name |
|-----|----------------------------------|
| 1 | Laurence PARADIS, Judo tani |
| 2 | Vanessa CAOUETTE, Club Kimo |
| 3 | Arriana MOORE, Samurai Judo Club |
| 4 | Anne GARNEAU, Club Judo Levis |

Championnat de l'est-Dimanche 12 avril 2015 Edmundston U14F Poca

Competitors: 2

Competitors

| # | Name | Grade | Club | 1 | 2 | 1 | 2 | 1 | 2 | Wins | Pts | Pos |
|---|--------------------|-------|--------------------|----|---|----|---|---|---|------|-----|-----|
| 1 | Andrea PLOURDE | 2k | Central Edmundston | | | | | | | 0 | 0 | 2 |
| 2 | Pascale CASTONGUAY | 3k | Otoshi | 10 | | 10 | | | | 2 | 20 | 1 |

Matches

| Match | White | | | Blue | Result | Time | Code |
|-------|----------------|---|---|---------------------------|--------|------|------|
| A-49 | Andrea PLOURDE | 1 | 2 | Pascale CASTONGUAY | 0 - 10 | 1:52 | WIP |
| A-55 | Andrea PLOURDE | 1 | 2 | Pascale CASTONGUAY | 0 - 10 | 0:13 | IPO |
| A-61 | Andrea PLOURDE | 1 | 2 | Pascale CASTONGUAY | | | |

Results

| Pos | Name |
|-----|------------------------------------|
| 1 | Pascale CASTONGUAY, Otoshi |
| 2 | Andrea PLOURDE, Central Edmundston |

Championnat de l'est-Dimanche 12 avril 2015 Edmundston U14M Po

Competitors: 5

Competitors

| # | Name | Grade | Club | 1 | 2 | 3 | 4 | 5 | Wins | Pts | Pos |
|---|---------------------|-------|------------------------|---|----|----|----|----|------|-----|-----|
| 1 | Anthony BOURGOIN | 3k | Central Edmundston | | 10 | 10 | 10 | 10 | 4 | 40 | 1 |
| 2 | Mathias BARSALOU | 4k+ | judotech | | | | | | 0 | 0 | 5 |
| 3 | Chris POITRAS | 2k | Bushido | | 10 | | 7 | 10 | 3 | 27 | 2 |
| 4 | Mathis GUERTIN | 2k | CJ Vallee du Richelieu | | 10 | | | 10 | 2 | 20 | 3 |
| 5 | Gael BLOUIN-GAMACHE | 3k+ | CJ Vallee du Richelieu | | 10 | | | | 1 | 10 | 4 |

Matches

| Match | White | | | Blue | Result | Time | Code |
|-------|-------------------------|---|---|----------------------------|--------|------|------|
| A-1 | Mathis GUERTIN | 4 | 5 | Gael BLOUIN-GAMACHE | 10 - 0 | 1:36 | IPO |
| A-2 | Anthony BOURGOIN | 1 | 2 | Mathias BARSALOU | 10 - 0 | 2:00 | IPO |
| A-9 | Chris POITRAS | 3 | 4 | Mathis GUERTIN | 7 - 0 | 2:00 | WAZ |
| A-10 | Anthony BOURGOIN | 1 | 5 | Gael BLOUIN-GAMACHE | 10 - 0 | 2:00 | IPO |
| A-22 | Mathias BARSALOU | 2 | 3 | Chris POITRAS | 0 - 10 | 0:26 | WIP |
| A-23 | Anthony BOURGOIN | 1 | 4 | Mathis GUERTIN | 10 - 0 | 0:30 | IPO |
| A-35 | Chris POITRAS | 3 | 5 | Gael BLOUIN-GAMACHE | 10 - 0 | 2:00 | IPO |
| A-36 | Mathias BARSALOU | 2 | 4 | Mathis GUERTIN | 0 - 10 | 2:00 | WIP |
| A-42 | Anthony BOURGOIN | 1 | 3 | Chris POITRAS | 10 - 0 | 1:57 | IPO |
| A-43 | Mathias BARSALOU | 2 | 5 | Gael BLOUIN-GAMACHE | 0 - 10 | 0:39 | IPO |

Results

| Pos | Name |
|-----|---|
| 1 | Anthony BOURGOIN, Central Edmundston |
| 2 | Chris POITRAS, Bushido |
| 3 | Mathis GUERTIN, CJ Vallee du Richelieu |
| 4 | Gael BLOUIN-GAMACHE, CJ Vallee du Richelieu |
| 5 | Mathias BARSALOU, judotech |

Championnat de l'est-Dimanche 12 avril 2015 Edmundston U14M Pod

Competitors: 4

Competitors

| # | Name | Grade | Club | 1 | 2 | 3 | 4 | Wins | Pts | Pos |
|---|------------------|-------|-------------------|----|---|----|----|------|-----|-----|
| 1 | Anthony BRAULT | 3k | To Hakukan | | | | 10 | 1 | 10 | 3 |
| 2 | Maxyme Ouellette | 1k | Kimo | 10 | | 10 | 10 | 3 | 30 | 1 |
| 3 | Justin PELLETIER | 3k+ | Samurai Judo Club | 7 | | | 10 | 2 | 17 | 2 |
| 4 | Cedric LABRIE | 2k | To Hakukan | | | | | 0 | 0 | 4 |

Matches

| Match | White | | | Blue | Result | Time | Code |
|-------|------------------|---|---|------------------|--------|------|------|
| A-3 | Anthony BRAULT | 1 | 2 | Maxyme Ouellette | 0 - 10 | 0:13 | WIP |
| A-4 | Justin PELLETIER | 3 | 4 | Cedric LABRIE | 10 - 0 | 0:29 | IPO |
| A-11 | Anthony BRAULT | 1 | 3 | Justin PELLETIER | 0 - 7 | 0:39 | WAZ |
| A-12 | Maxyme Ouellette | 2 | 4 | Cedric LABRIE | 10 - 0 | 0:57 | IPO |
| A-24 | Anthony BRAULT | 1 | 4 | Cedric LABRIE | 10 - 0 | 0:49 | KIK |
| A-25 | Maxyme Ouellette | 2 | 3 | Justin PELLETIER | 10 - 0 | 0:46 | IPO |

Results

| Pos | Name |
|-----|-------------------------------------|
| 1 | Maxyme Ouellette, Kimo |
| 2 | Justin PELLETIER, Samurai Judo Club |
| 3 | Anthony BRAULT, To Hakukan |
| 4 | Cedric LABRIE, To Hakukan |

Championnat de l'est-Dimanche 12 avril 2015 Edmundston U14M Po

Competitors: 4

Competitors

| # | Name | Grade | Club | 1 | 2 | 3 | 4 | Wins | Pts | Pos |
|---|------------------|-------|-----------------|---|---|----|---|------|-----|-----|
| 1 | Benoit PELLETIER | 4k+ | judotech | | 1 | 10 | | 2 | 11 | 2 |
| 2 | Dylan ADAMS | 4k+ | judotech | | | 1 | | 1 | 1 | 3 |
| 3 | Connor HEAD | 4k | Tora Kai Judo | | | | | 0 | 0 | 4 |
| 4 | Olivier GARNEAU | 4k+ | Club Judo Levis | 1 | 1 | 1 | | 3 | 3 | 1 |

Matches

| Match | White | | | Blue | Result | Time | Code |
|-------|-------------------------|---|---|------------------------|--------|------|------|
| A-5 | Benoit PELLETIER | 1 | 2 | Dylan ADAMS | 1 - 0 | 2:00 | YUS |
| A-6 | Connor HEAD | 3 | 4 | Olivier GARNEAU | 0 - 1 | 2:00 | YUS |
| A-13 | Benoit PELLETIER | 1 | 3 | Connor HEAD | 10 - 0 | 0:23 | WIP |
| A-14 | Dylan ADAMS | 2 | 4 | Olivier GARNEAU | 0 - 1 | 2:00 | YUS |
| A-26 | Benoit PELLETIER | 1 | 4 | Olivier GARNEAU | 0 - 1 | 2:00 | YUS |
| A-27 | Dylan ADAMS | 2 | 3 | Connor HEAD | 1 - 0 | 2:00 | YUS |

Results

| Pos | Name |
|-----|----------------------------------|
| 1 | Olivier GARNEAU, Club Judo Levis |
| 2 | Benoit PELLETIER, judotech |
| 3 | Dylan ADAMS, judotech |
| 4 | Connor HEAD, Tora Kai Judo |

Championnat de l'est-Dimanche 12 avril 2015 Edmundston U14M Po

Competitors: 4

Competitors

| # | Name | Grade | Club | 1 | 2 | 3 | 4 | Wins | Pts | Pos |
|---|-------------------|-------|---------------------------|---|----|----|----|------|-----|-----|
| 1 | Benjamin PROTEAU | 2k | To Hakukan | | 7 | 10 | 10 | 3 | 27 | 1 |
| 2 | Joey LANDRY | 2k | Central Edmundston | | | | | 0 | 0 | 4 |
| 3 | Thomas FORTIN | 3k | judotech | | 10 | | 10 | 2 | 20 | 2 |
| 4 | Emilien DUTREMBLE | 3k | Club de judo St-Hyacinthe | | 10 | | | 1 | 10 | 3 |

Matches

| Match | White | | | Blue | Result | Time | Code |
|-------|-------------------------|---|---|--------------------------|--------|------|------|
| A-7 | Benjamin PROTEAU | 1 | 2 | Joey LANDRY | 7 - 0 | 2:00 | WAZ |
| A-8 | Thomas FORTIN | 3 | 4 | Emilien DUTREMBLE | 10 - 0 | 0:23 | WIP |
| A-15 | Benjamin PROTEAU | 1 | 3 | Thomas FORTIN | 10 - 0 | 1:53 | IPO |
| A-16 | Joey LANDRY | 2 | 4 | Emilien DUTREMBLE | 0 - 10 | 1:44 | WIP |
| A-28 | Benjamin PROTEAU | 1 | 4 | Emilien DUTREMBLE | 10 - 0 | 0:50 | IPO |
| A-29 | Joey LANDRY | 2 | 3 | Thomas FORTIN | 0 - 10 | 1:35 | KIK |

Results

| Pos | Name |
|-----|--|
| 1 | Benjamin PROTEAU, To Hakukan |
| 2 | Thomas FORTIN, judotech |
| 3 | Emilien DUTREMBLE, Club de judo St-Hyacinthe |
| 4 | Joey LANDRY, Central Edmundston |

Competitors

| # | Name | Grade | Club | 1 | 2 | 3 | Wins | Pts | Pos |
|---|------------------|-------|-------------------------|---|----|----|------|-----|-----|
| 1 | Turner MOORE | 4k+ | Lennox Island Judo Club | | 10 | 10 | 2 | 20 | 1 |
| 2 | Alex HAMEL | 4k | CJ Vallee du Richelieu | | | 10 | 1 | 10 | 2 |
| 3 | Zackary BELANGER | 4k | Bushido | | | | 0 | 0 | 3 |

Matches

| Match | White | | | Blue | Result | Time | Code |
|-------|--------------|---|---|------------------|--------|------|------|
| A-17 | Turner MOORE | 1 | 2 | Alex HAMEL | 10 - 0 | 0:00 | IPO |
| A-30 | Turner MOORE | 1 | 3 | Zackary BELANGER | 10 - 0 | 0:09 | IPO |
| A-37 | Alex HAMEL | 2 | 3 | Zackary BELANGER | 10 - 0 | 1:36 | IPO |

Results

| Pos | Name |
|-----|---------------------------------------|
| 1 | Turner MOORE, Lennox Island Judo Club |
| 2 | Alex HAMEL, CJ Vallee du Richelieu |
| 3 | Zackary BELANGER, Bushido |

Championnat de l'est-Dimanche 12 avril 2015 Edmundston U14M Pod

Competitors: 4

Competitors

| # | Name | Grade | Club | 1 | 2 | 3 | 4 | Wins | Pts | Pos |
|---|----------------------|-------|------------------------|---|----|----|----|------|-----|-----|
| 1 | Hugo TREMBLAY-PIERRE | 3k | CJ Vallee du Richelieu | | 10 | 10 | 10 | 3 | 30 | 1 |
| 2 | Santiago ZUZUNAGA | 3k | Dojo PERROT Shima | | | 10 | 10 | 2 | 20 | 2 |
| 3 | Hayden WITHERS | 3k+ | KV Judo Club | | | | 1 | 1 | 1 | 3 |
| 4 | Olivier CHIASSON | 3k | Otoshi | | | | | 0 | 0 | 4 |

Matches

| Match | White | | | Blue | Result | Time | Code |
|-------|----------------------|---|---|-------------------|--------|------|------|
| A-18 | Hugo TREMBLAY-PIERRE | 1 | 2 | Santiago ZUZUNAGA | 10 - 0 | 1:10 | IPO |
| A-19 | Hayden WITHERS | 3 | 4 | Olivier CHIASSON | 1 - 0 | 2:00 | YUS |
| A-31 | Hugo TREMBLAY-PIERRE | 1 | 3 | Hayden WITHERS | 10 - 0 | 0:55 | IPO |
| A-32 | Santiago ZUZUNAGA | 2 | 4 | Olivier CHIASSON | 10 - 0 | 1:49 | WIP |
| A-38 | Hugo TREMBLAY-PIERRE | 1 | 4 | Olivier CHIASSON | 10 - 0 | 0:28 | IPO |
| A-39 | Santiago ZUZUNAGA | 2 | 3 | Hayden WITHERS | 10 - 0 | 1:16 | IPO |

Results

| Pos | Name |
|-----|--|
| 1 | Hugo TREMBLAY-PIERRE, CJ Vallee du Richelieu |
| 2 | Santiago ZUZUNAGA, Dojo PERROT Shima |
| 3 | Hayden WITHERS, KV Judo Club |
| 4 | Olivier CHIASSON, Otoshi |

Championnat de l'est-Dimanche 12 avril 2015 Edmundston U14M Pod

Competitors: 4

Competitors

| # | Name | Grade | Club | 1 | 2 | 3 | 4 | Wins | Pts | Pos |
|---|-----------------------|-------|---------------------------|----|---|---|----|------|-----|-----|
| 1 | Zachary THIBAULT | 4k+ | Club Judo Levis | | | | | 0 | 0 | 4 |
| 2 | Hugues Samuel GILBERT | 2k | To Hakukan | 10 | | 7 | 10 | 3 | 27 | 1 |
| 3 | Michael SHORT | 3k | Atlantic Training Center | 10 | | | 10 | 2 | 20 | 2 |
| 4 | Felix ARCHAMBAULT | 3k+ | Club de judo St-Hyacinthe | 10 | | | | 1 | 10 | 3 |

Matches

| Match | White | | | Blue | Result | Time | Code |
|-------|------------------------------|---|---|------------------------------|--------|------|------|
| A-20 | Zachary THIBAULT | 1 | 2 | Hugues Samuel GILBERT | 0 - 10 | 0:00 | IPO |
| A-21 | Michael SHORT | 3 | 4 | Felix ARCHAMBAULT | 10 - 0 | 1:22 | IPO |
| A-33 | Zachary THIBAULT | 1 | 3 | Michael SHORT | 0 - 10 | 0:55 | WIP |
| A-34 | Hugues Samuel GILBERT | 2 | 4 | Felix ARCHAMBAULT | 10 - 0 | 0:56 | WIP |
| A-40 | Zachary THIBAULT | 1 | 4 | Felix ARCHAMBAULT | 0 - 10 | 0:32 | WIP |
| A-41 | Hugues Samuel GILBERT | 2 | 3 | Michael SHORT | 7 - 0 | 2:00 | WAZ |

Results

| Pos | Name |
|-----|--|
| 1 | Hugues Samuel GILBERT, To Hakukan |
| 2 | Michael SHORT, Atlantic Training Center |
| 3 | Felix ARCHAMBAULT, Club de judo St-Hyacinthe |
| 4 | Zachary THIBAULT, Club Judo Levis |

Championnat de l'est-Dimanche 12 avril 2015 Edmundston U18F -48

Competitors: 4

Competitors

| # | Name | Grade | Club | 1 | 2 | 3 | 4 | Wins | Pts | Pos |
|---|-------------------------|-------|--------------------|----|---|----|---|------|-----|-----|
| 1 | Kerline-Claudie MAYRAND | 1k | Central Edmundston | | | 10 | | 1 | 10 | 3 |
| 2 | Vanessa OUELLETTE | 1k | Bushido | 10 | | 10 | 5 | 3 | 25 | 1 |
| 3 | Samantha PAUGH | 2k+ | TJC Judo Club | | | | | 0 | 0 | 4 |
| 4 | Meriem BENTOURA | 1k | Shidokan | 5 | | 7 | | 2 | 12 | 2 |

Matches

| Match | White | | | Blue | Result | Time | Code |
|-------|--------------------------------|---|---|--------------------------|--------|------|------|
| C-12 | Kerline-Claudie MAYRAND | 1 | 2 | Vanessa OUELLETTE | 0 - 10 | 1:32 | IPO |
| C-13 | Samantha PAUGH | 3 | 4 | Meriem BENTOURA | 0 - 7 | 4:00 | WAZ |
| C-20 | Kerline-Claudie MAYRAND | 1 | 3 | Samantha PAUGH | 10 - 0 | 1:22 | WIP |
| C-21 | Vanessa OUELLETTE | 2 | 4 | Meriem BENTOURA | 5 - 0 | 4:00 | YUK |
| C-32 | Kerline-Claudie MAYRAND | 1 | 4 | Meriem BENTOURA | 0 - 5 | 4:00 | YUK |
| C-33 | Vanessa OUELLETTE | 2 | 3 | Samantha PAUGH | 10 - 0 | 1:51 | IPO |

Results

| Pos | Name |
|-----|---|
| 1 | Vanessa OUELLETTE, Bushido |
| 2 | Meriem BENTOURA, Shidokan |
| 3 | Kerline-Claudie MAYRAND, Central Edmundston |
| 4 | Samantha PAUGH, TJC Judo Club |

Championnat de l'est-Dimanche 12 avril 2015 Edmundston U18F -57

Competitors: 4

Competitors

| # | Name | Grade | Club | 1 | 2 | 3 | 4 | Wins | Pts | Pos |
|---|-----------------------|-------|-----------------|----|----|----|---|------|-----|-----|
| 1 | Anne-Claire PAQUIN | 1k | Metropolitain | | 7 | | | 1 | 7 | 3 |
| 2 | Marie-Garance DEGASNE | 1k | To Hakukan | | | | | 0 | 0 | 4 |
| 3 | Olga PAROVYK | 2k | Taifu Judo Club | 7 | 10 | | | 2 | 17 | 2 |
| 4 | Anna GORMLEY | 1k | KV Judo Club | 10 | 10 | 10 | | 3 | 30 | 1 |

Matches

| Match | White | | | Blue | Result | Time | Code |
|-------|---------------------------|---|---|-----------------------|--------|------|------|
| C-14 | Anne-Claire PAQUIN | 1 | 2 | Marie-Garance DEGASNE | 7 - 0 | 4:00 | WAZ |
| C-15 | Olga PAROVYK | 3 | 4 | Anna GORMLEY | 0 - 10 | 0:52 | IPO |
| C-22 | Anne-Claire PAQUIN | 1 | 3 | Olga PAROVYK | 0 - 7 | 4:00 | WAZ |
| C-23 | Marie-Garance DEGASNE | 2 | 4 | Anna GORMLEY | 0 - 10 | 0:24 | IPO |
| C-34 | Anne-Claire PAQUIN | 1 | 4 | Anna GORMLEY | 0 - 10 | 0:00 | IPO |
| C-35 | Marie-Garance DEGASNE | 2 | 3 | Olga PAROVYK | 0 - 10 | 0:00 | IPO |

Results

| Pos | Name |
|-----|-----------------------------------|
| 1 | Anna GORMLEY, KV Judo Club |
| 2 | Olga PAROVYK, Taifu Judo Club |
| 3 | Anne-Claire PAQUIN, Metropolitain |
| 4 | Marie-Garance DEGASNE, To Hakukan |

Championnat de l'est-Dimanche 12 avril 2015 Edmundston U18F -63

Competitors: 4

Competitors

| # | Name | Grade | Club | 1 | 2 | 3 | 4 | Wins | Pts | Pos |
|---|-------------------------|-------|------------------------|----|----|----|---|------|-----|-----|
| 1 | Melisande GUERTIN | 1k | CJ Vallee du Richelieu | | 10 | | | 1 | 10 | 3 |
| 2 | Katherine HUOT-TREMBLAY | 2k | Charlesbourg | | | | | 0 | 0 | 4 |
| 3 | Ariane LEVESQUE | 2k | Club Kachi | 10 | 10 | | | 2 | 20 | 2 |
| 4 | Anne MARTIN | 1d | Seiko Alma | 10 | 10 | 10 | | 3 | 30 | 1 |

Matches

| Match | White | | | Blue | Result | Time | Code |
|-------|--------------------------|---|---|-------------------------|--------|------|------|
| C-24 | Melisande GUERTIN | 1 | 2 | Katherine HUOT-TREMBLAY | 10 - 0 | 1:47 | IPO |
| C-25 | Ariane LEVESQUE | 3 | 4 | Anne MARTIN | 0 - 10 | 1:15 | IPO |
| C-36 | Melisande GUERTIN | 1 | 3 | Ariane LEVESQUE | 0 - 10 | 1:30 | IPO |
| C-37 | Katherine HUOT-TREMBLAY | 2 | 4 | Anne MARTIN | 0 - 10 | 1:29 | IPO |
| C-50 | Melisande GUERTIN | 1 | 4 | Anne MARTIN | 0 - 10 | 0:00 | IPO |
| C-51 | Katherine HUOT-TREMBLAY | 2 | 3 | Ariane LEVESQUE | 0 - 10 | 0:36 | IPO |

Results

| Pos | Name |
|-----|---|
| 1 | Anne MARTIN, Seiko Alma |
| 2 | Ariane LEVESQUE, Club Kachi |
| 3 | Melisande GUERTIN, CJ Vallee du Richelieu |
| 4 | Katherine HUOT-TREMBLAY, Charlesbourg |

Championnat de l'est-Dimanche 12 avril 2015 Edmundston U18F -70

Competitors: 3

Competitors

| # | Name | Grade | Club | 1 | 2 | 3 | Wins | Pts | Pos |
|---|-----------------|-------|---------------------------|----|---|---|------|-----|-----|
| 1 | Micayla GREGORY | 1k | Harvey Judo Club | | | | 0 | 0 | 3 |
| 2 | Audrey POIRIER | 1k | Club de judo St-Hyacinthe | 10 | | 7 | 2 | 17 | 1 |
| 3 | Kamryn SHEA | 2k | Lennox Island Judo Club | 10 | | | 1 | 10 | 2 |

Matches

| Match | White | | | Blue | Result | Time | Code |
|-------|-----------------------|---|---|-----------------------|--------|------|------|
| C-26 | Micayla GREGORY | 1 | 2 | Audrey POIRIER | 0 - 10 | 0:43 | IPO |
| C-38 | Micayla GREGORY | 1 | 3 | Kamryn SHEA | 0 - 10 | 0:35 | WIP |
| C-44 | Audrey POIRIER | 2 | 3 | Kamryn SHEA | 7 - 0 | 4:00 | WAZ |

Results

| Pos | Name |
|-----|---|
| 1 | Audrey POIRIER, Club de judo St-Hyacinthe |
| 2 | Kamryn SHEA, Lennox Island Judo Club |
| 3 | Micayla GREGORY, Harvey Judo Club |

Championnat de l'est-Dimanche 12 avril 2015 Edmundston U18M +90

Competitors: 2

Competitors

| # | Name | Grade | Club | 1 | 2 | 1 | 2 | 1 | 2 | Wins | Pts | Pos |
|---|------------------|-------|---------------|---|----|---|----|---|---|------|-----|-----|
| 1 | Alexandre GAUVIN | 3k | Club Kimo | | 10 | | 10 | | | 2 | 20 | 1 |
| 2 | Riley COLE | 3k+ | TJC Judo Club | | | | | | | 0 | 0 | 2 |

Matches

| Match | White | 1 | 2 | Blue | Result | Time | Code |
|-------|------------------|---|---|------------|--------|------|------|
| B-27 | Alexandre GAUVIN | 1 | 2 | Riley COLE | 10 - 0 | 1:14 | WIP |
| B-40 | Alexandre GAUVIN | 1 | 2 | Riley COLE | 10 - 0 | 0:09 | IPO |
| B-49 | Alexandre GAUVIN | 1 | 2 | Riley COLE | | | |

Results

| Pos | Name |
|-----|-----------------------------|
| 1 | Alexandre GAUVIN, Club Kimo |
| 2 | Riley COLE, TJC Judo Club |

Championnat de l'est-Dimanche 12 avril 2015 Edmundston U18M +90

Competitors: 2

Competitors

| # | Name | Grade | Club | 1 | 2 | 1 | 2 | 1 | 2 | Wins | Pts | Pos |
|---|-----------------|-------|-------------------------|---|---|---|---|----|---|------|-----|-----|
| 1 | Andrew VIENNEAU | 1k | Shimpokai | | | | 1 | | | 1 | 1 | 2 |
| 2 | Brandon BERNARD | 1k | Lennox Island Judo Club | 7 | | | | 10 | | 2 | 17 | 1 |

Matches

| Match | White | | | Blue | Result | Time | Code |
|-------|------------------------|---|---|------------------------|--------|------|------|
| B-25 | Andrew VIENNEAU | 1 | 2 | Brandon BERNARD | 0 - 7 | 4:00 | WAZ |
| B-38 | Andrew VIENNEAU | 1 | 2 | Brandon BERNARD | 1 - 0 | 4:00 | YUS |
| B-47 | Andrew VIENNEAU | 1 | 2 | Brandon BERNARD | 0 - 10 | 2:35 | IPO |

Results

| Pos | Name |
|-----|--|
| 1 | Brandon BERNARD, Lennox Island Judo Club |
| 2 | Andrew VIENNEAU, Shimpokai |

Championnat de l'est-Dimanche 12 avril 2015 Edmundston U18M -46

Competitors: 2

Competitors

| # | Name | Grade | Club | 1 | 2 | 1 | 2 | 1 | 2 | Wins | Pts | Pos |
|---|-------------------|-------|------------------------|---|----|---|---|---|---|------|-----|-----|
| 1 | Malcolm PELLETIER | 1k | Dragons Judo Club | | 10 | | 1 | | | 2 | 11 | 1 |
| 2 | Dontae DE JESUS | 1k | Upper Canada Judo Club | | | | | | | 0 | 0 | 2 |

Matches

| Match | White | | | Blue | Result | Time | Code |
|-------|-------------------|---|---|-----------------|--------|------|------|
| C-27 | Malcolm PELLETIER | 1 | 2 | Dontae DE JESUS | 10 - 0 | 0:13 | IPO |
| C-39 | Malcolm PELLETIER | 1 | 2 | Dontae DE JESUS | 1 - 0 | 4:00 | YUS |
| C-45 | Malcolm PELLETIER | 1 | 2 | Dontae DE JESUS | | | |

Results

| Pos | Name |
|-----|---|
| 1 | Malcolm PELLETIER, Dragons Judo Club |
| 2 | Dontae DE JESUS, Upper Canada Judo Club |

Competitors

| # | Name | Grade | Club | 1 | Wins | Pts | Pos |
|---|-------------|-------|--------------|---|------|-----|-----|
| 1 | Keano YOUNG | 2k | Ajax Budokan | | 0 | 0 | 1 |

Matches

| Match | White | Blue | Result | Time | Code |
|-------|-------|------|--------|------|------|
|-------|-------|------|--------|------|------|

Results

| Pos | Name |
|-----|---------------------------|
| 1 | Keano YOUNG, Ajax Budokan |

Competitors A

| # | Name | Grade | Club | 1 | 2 | 3 | 4 | Wins | Pts | Pos |
|---|----------------------|-------|---------------------------|---|----|----|---|------|-----|-----|
| 1 | Colin MCCLURE-FARLEY | 2k+ | Academie Martiale Serei | | 10 | 10 | 7 | 3 | 27 | 1 |
| 2 | William DAVIAU | 1k | Club de judo St-Hyacinthe | | | | | 0 | 0 | 4 |
| 3 | Simon CHAMPIGNY | 3k | Otoshi | | 10 | | | 1 | 10 | 3 |
| 4 | Keano YOUNG | 2k | Ajax Budokan | | 10 | 1 | | 2 | 11 | 2 |

Matches A

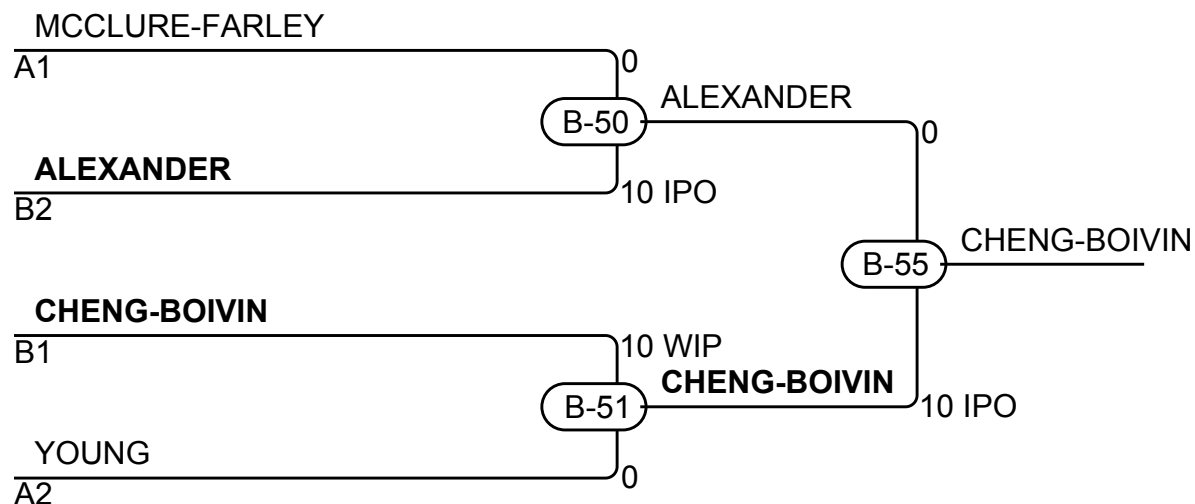
| Match | White | Blue | Result | Time | Code |
|-------|-----------------------------|-----------------|--------|------|------|
| B-17 | Colin MCCLURE-FARLEY 1 2 | William DAVIAU | 10 - 0 | 1:09 | WIP |
| B-18 | Simon CHAMPIGNY 3 4 | Keano YOUNG | 0 - 1 | 4:00 | YUS |
| B-34 | Colin MCCLURE-FARLEY 1 3 | Simon CHAMPIGNY | 10 - 0 | 0:51 | IPO |
| B-35 | William DAVIAU 2 4 | Keano YOUNG | 0 - 10 | 0:47 | IPO |
| B-43 | Colin MCCLURE-FARLEY 1 4 | Keano YOUNG | 7 - 0 | 4:00 | WAZ |
| B-44 | William DAVIAU 2 3 | Simon CHAMPIGNY | 0 - 10 | 3:03 | KIK |

Competitors B

| # | Name | Grade | Club | 5 | 6 | 7 | Wins | Pts | Pos |
|---|-----------------------|-------|-----------------------|---|----|----|------|-----|-----|
| 5 | Zacharie CHENG-BOIVIN | 1k | Lycee Claudel J.C. | | 10 | 10 | 2 | 20 | 1 |
| 6 | Lochlainn ALEXANDER | 1k | Hayabusakan Judo Club | | | 10 | 1 | 10 | 2 |
| 7 | Ryan CAMERON | 1k | KV Judo Club | | | | 0 | 0 | 3 |

Matches B

| Match | White | Blue | Result | Time | Code |
|-------|------------------------------|---------------------|--------|------|------|
| B-19 | Zacharie CHENG-BOIVIN 5 6 | Lochlainn ALEXANDER | 10 - 0 | 4:00 | IPO |
| B-36 | Zacharie CHENG-BOIVIN 5 7 | Ryan CAMERON | 10 - 0 | 1:00 | IPO |
| B-45 | Lochlainn ALEXANDER 6 7 | Ryan CAMERON | 10 - 0 | 0:14 | IPO |



Results

| Pos | Name |
|-----|---|
| 1 | Zacharie CHENG-BOIVIN, Lycee Claudel J.C. |
| 2 | Lochlainn ALEXANDER, Hayabusakan Judo Club |
| 3 | Colin MCCLURE-FARLEY, Academie Martiale Serei |
| 3 | Keano YOUNG, Ajax Budokan |

Championnat de l'est-Dimanche 12 avril 2015 Edmundston U18M -66

Competitors: 5

Competitors

| # | Name | Grade | Club | 1 | 2 | 3 | 4 | 5 | Wins | Pts | Pos |
|---|----------------|-------|--------------------------|----|----|----|----|---|------|-----|-----|
| 1 | Jared CAMERON | 1k | KV Judo Club | | 10 | 10 | | | 2 | 20 | 3 |
| 2 | Cody VEILLEUX | 2k | Bushido | | | | | | 0 | 0 | 5 |
| 3 | Max TEEUWEN | 2k | Atlantic Training Center | | 10 | | | | 1 | 10 | 4 |
| 4 | Diego DE JESUS | 2k+ | Upper Canada Judo Club | 5 | 10 | 10 | | | 3 | 25 | 2 |
| 5 | Nikita RUDAKOV | 1k | Taifu Judo Club | 10 | 10 | 10 | 10 | | 4 | 40 | 1 |

Matches

| Match | White | | | Blue | Result | Time | Code |
|-------|----------------------|---|---|-----------------------|--------|------|------|
| C-8 | Diego DE JESUS | 4 | 5 | Nikita RUDAKOV | 0 - 10 | 2:50 | IPO |
| C-9 | Jared CAMERON | 1 | 2 | Cody VEILLEUX | 10 - 0 | 0:40 | IPO |
| C-16 | Max TEEUWEN | 3 | 4 | Diego DE JESUS | 0 - 10 | 3:39 | IPO |
| C-17 | Jared CAMERON | 1 | 5 | Nikita RUDAKOV | 0 - 10 | 1:18 | IPO |
| C-28 | Cody VEILLEUX | 2 | 3 | Max TEEUWEN | 0 - 10 | 1:02 | IPO |
| C-29 | Jared CAMERON | 1 | 4 | Diego DE JESUS | 0 - 5 | 4:00 | YUK |
| C-40 | Max TEEUWEN | 3 | 5 | Nikita RUDAKOV | 0 - 10 | 0:57 | IPO |
| C-41 | Cody VEILLEUX | 2 | 4 | Diego DE JESUS | 0 - 10 | 1:54 | IPO |
| C-46 | Jared CAMERON | 1 | 3 | Max TEEUWEN | 10 - 0 | 3:17 | IPO |
| C-47 | Cody VEILLEUX | 2 | 5 | Nikita RUDAKOV | 0 - 10 | 0:33 | IPO |

Results

| Pos | Name |
|-----|--|
| 1 | Nikita RUDAKOV, Taifu Judo Club |
| 2 | Diego DE JESUS, Upper Canada Judo Club |
| 3 | Jared CAMERON, KV Judo Club |
| 4 | Max TEEUWEN, Atlantic Training Center |
| 5 | Cody VEILLEUX, Bushido |

Championnat de l'est-Dimanche 12 avril 2015 Edmundston U18M -73

Competitors: 5

Competitors

| # | Name | Grade | Club | 1 | 2 | 3 | 4 | 5 | Wins | Pts | Pos |
|---|---------------------------|-------|---------------------------|----|----|---|----|----|------|-----|-----|
| 1 | Nicolas TURBIDE | 1k | Dojo de Beauport | | | | | 10 | 1 | 10 | 4 |
| 2 | Ludovik CASSISTA | 1k | Central Edmundston | 7 | | | | 10 | 2 | 17 | 3 |
| 3 | Luka KHATELISHVILI | 2k | Taifu Judo Club | 10 | 10 | | 10 | 10 | 4 | 40 | 1 |
| 4 | Francois GAUTHIER-DRAPEAU | 1k | Seiko Alma | 10 | 10 | | | 10 | 3 | 30 | 2 |
| 5 | Mathieu BELLAVANCE | 1k | Club de judo St-Hyacinthe | | | | | | 0 | 0 | 5 |

Matches

| Match | White | | | Blue | Result | Time | Code |
|-------|----------------------------------|---|---|----------------------------------|--------|------|------|
| C-10 | Francois GAUTHIER-DRAPEAU | 4 | 5 | Mathieu BELLAVANCE | 10 - 0 | 1:07 | IPO |
| C-11 | Nicolas TURBIDE | 1 | 2 | Ludovik CASSISTA | 0 - 7 | 4:00 | WAZ |
| C-18 | Luka KHATELISHVILI | 3 | 4 | Francois GAUTHIER-DRAPEAU | 10 - 0 | 1:21 | IPO |
| C-19 | Nicolas TURBIDE | 1 | 5 | Mathieu BELLAVANCE | 10 - 0 | 1:18 | IPO |
| C-30 | Ludovik CASSISTA | 2 | 3 | Luka KHATELISHVILI | 0 - 10 | 2:33 | IPO |
| C-31 | Nicolas TURBIDE | 1 | 4 | Francois GAUTHIER-DRAPEAU | 0 - 10 | 1:21 | IPO |
| C-42 | Luka KHATELISHVILI | 3 | 5 | Mathieu BELLAVANCE | 10 - 0 | 0:40 | IPO |
| C-43 | Ludovik CASSISTA | 2 | 4 | Francois GAUTHIER-DRAPEAU | 0 - 10 | 3:16 | WIP |
| C-48 | Nicolas TURBIDE | 1 | 3 | Luka KHATELISHVILI | 0 - 10 | 0:13 | IPO |
| C-49 | Ludovik CASSISTA | 2 | 5 | Mathieu BELLAVANCE | 10 - 0 | 0:52 | IPO |

Results

| Pos | Name |
|-----|---|
| 1 | Luka KHATELISHVILI, Taifu Judo Club |
| 2 | Francois GAUTHIER-DRAPEAU, Seiko Alma |
| 3 | Ludovik CASSISTA, Central Edmundston |
| 4 | Nicolas TURBIDE, Dojo de Beauport |
| 5 | Mathieu BELLAVANCE, Club de judo St-Hyacinthe |

Competitors

| # | Name | Grade | Club | 1 | 2 | 3 | Wins | Pts | Pos |
|---|----------------|-------|--------------|---|----|----|------|-----|-----|
| 1 | Justin GIGGEY | 5k | KV Judo Club | | 10 | 10 | 2 | 20 | 1 |
| 2 | Yannick PARENT | 3k | Club Kimo | | | | 0 | 0 | 3 |
| 3 | Louis BÉRUBÉ | 5k | Amqui | | 10 | | 1 | 10 | 2 |

Matches

| Match | White | | | Blue | Result | Time | Code |
|-------|----------------------|---|---|---------------------|--------|------|------|
| B-26 | Justin GIGGEY | 1 | 2 | Yannick PARENT | 10 - 0 | 1:26 | WIP |
| B-39 | Justin GIGGEY | 1 | 3 | Louis BÉRUBÉ | 10 - 0 | 1:30 | WIP |
| B-48 | Yannick PARENT | 2 | 3 | Louis BÉRUBÉ | 0 - 10 | 1:24 | IPO |

Results

| Pos | Name |
|-----|-----------------------------|
| 1 | Justin GIGGEY, KV Judo Club |
| 2 | Louis BÉRUBÉ, Amqui |
| 3 | Yannick PARENT, Club Kimo |

Championnat de l'est-Dimanche 12 avril 2015 Edmundston U18M -81

Competitors: 3

Competitors

| # | Name | Grade | Club | 1 | 2 | 3 | Wins | Pts | Pos |
|---|------------------|-------|---|---|----|----|------|-----|-----|
| 1 | Jeremy LEMIEUX | 1k | Club Judo Levis | | 10 | 10 | 2 | 20 | 1 |
| 2 | Nicolas PIQUETTE | 2k | club de judo le relais du bout de pointe aux trembles | | | | 0 | 0 | 3 |
| 3 | Gabriel TRAVERSY | 1d | Dragons Judo Club | | 10 | | 1 | 10 | 2 |

Matches

| Match | White | | | Blue | Result | Time | Code |
|-------|------------------|---|---|------------------|--------|------|------|
| B-24 | Jeremy LEMIEUX | 1 | 2 | Nicolas PIQUETTE | 10 - 0 | 1:42 | IPO |
| B-37 | Jeremy LEMIEUX | 1 | 3 | Gabriel TRAVERSY | 10 - 0 | 2:14 | IPO |
| B-46 | Nicolas PIQUETTE | 2 | 3 | Gabriel TRAVERSY | 0 - 10 | 1:30 | IPO |

Results

| Pos | Name |
|-----|---|
| 1 | Jeremy LEMIEUX, Club Judo Levis |
| 2 | Gabriel TRAVERSY, Dragons Judo Club |
| 3 | Nicolas PIQUETTE, club de judo le relais du bout de pointe aux trembles |

Competitors

| # | Name | Grade | Club | 1 | Wins | Pts | Pos |
|---|--------------|-------|-----------|---|------|-----|-----|
| 1 | Nicolas AUBE | 1k | Shimpokai | | 0 | 0 | 1 |

Matches

| Match | White | Blue | Result | Time | Code |
|-------|-------|------|--------|------|------|
|-------|-------|------|--------|------|------|

Results

| Pos | Name |
|-----|-------------------------|
| 1 | Nicolas AUBE, Shimpokai |

Competitors

| # | Name | Grade | Club | 1 | 2 | 3 | Wins | Pts | Pos |
|---|-----------------|-------|-------------------------|---|----|----|------|-----|-----|
| 1 | Audrey DION | 1d | Boucherville | | 10 | 10 | 2 | 20 | 1 |
| 2 | Vanda MELKO | 2k+ | Academie Martiale Serei | | | 10 | 1 | 10 | 2 |
| 3 | Noemie COSSETTE | 1k | To Hakukan | | | | 0 | 0 | 3 |

Matches

| Match | White | | | Blue | Result | Time | Code |
|-------|--------------------|---|---|-----------------|--------|------|------|
| A-74 | Audrey DION | 1 | 2 | Vanda MELKO | 10 - 0 | 2:44 | IPO |
| A-86 | Audrey DION | 1 | 3 | Noemie COSSETTE | 10 - 0 | 1:16 | IPO |
| A-90 | Vanda MELKO | 2 | 3 | Noemie COSSETTE | 10 - 0 | 0:37 | IPO |

Results

| Pos | Name |
|-----|--------------------------------------|
| 1 | Audrey DION, Boucherville |
| 2 | Vanda MELKO, Academie Martiale Serei |
| 3 | Noemie COSSETTE, To Hakukan |

Competitors

| # | Name | Grade | Club | 1 | 2 | 1 | 2 | 1 | 2 | Wins | Pts | Pos |
|---|----------------|-------|--------------|---|----|---|----|---|---|------|-----|-----|
| 1 | Hazel MCLEAN | 4k | KV Judo Club | | 10 | | 10 | | | 2 | 20 | 1 |
| 2 | Karelle DANEAU | 4k | Seikidokan | | | | | | | 0 | 0 | 2 |

Matches

| Match | White | | | Blue | Result | Time | Code |
|-------|--------------|---|---|----------------|--------|------|------|
| A-75 | Hazel MCLEAN | 1 | 2 | Karelle DANEAU | 10 - 0 | 1:16 | KIK |
| A-87 | Hazel MCLEAN | 1 | 2 | Karelle DANEAU | 10 - 0 | 0:00 | FUS |
| A-91 | Hazel MCLEAN | 1 | 2 | Karelle DANEAU | | | |

Results

| Pos | Name |
|-----|----------------------------|
| 1 | Hazel MCLEAN, KV Judo Club |
| 2 | Karelle DANEAU, Seikidokan |

Championnat de l'est-Dimanche 12 avril 2015 Edmundston senF -63

Competitors: 4

Competitors

| # | Name | Grade | Club | 1 | 2 | 3 | 4 | Wins | Pts | Pos |
|---|---------------------|-------|---------------------|----|---|----|----|------|-----|-----|
| 1 | Camelia PITSILIS | 1k | St-Hubert | | | | | 0 | 0 | 4 |
| 2 | Alicia BRIGGS | 1d | Lethbridge Kyodokan | 10 | | 5 | 10 | 3 | 25 | 1 |
| 3 | Lea-Fredericke COTE | 2d | Shidokan | 10 | | | | 1 | 10 | 3 |
| 4 | Jasmine PITSILIS | 1d | St-Hubert | 10 | | 10 | | 2 | 20 | 2 |

Matches

| Match | White | | | Blue | Result | Time | Code |
|-------|----------------------|---|---|----------------------------|--------|------|------|
| A-66 | Camelia PITSILIS | 1 | 2 | Alicia BRIGGS | 0 - 10 | 3:30 | HAN |
| A-67 | Lea-Fredericke COTE | 3 | 4 | Jasmine PITSILIS | 0 - 10 | 3:24 | IPO |
| A-72 | Camelia PITSILIS | 1 | 3 | Lea-Fredericke COTE | 0 - 10 | 2:14 | WIP |
| A-73 | Alicia BRIGGS | 2 | 4 | Jasmine PITSILIS | 10 - 0 | 0:41 | IPO |
| A-80 | Camelia PITSILIS | 1 | 4 | Jasmine PITSILIS | 0 - 10 | 0:00 | FUS |
| A-81 | Alicia BRIGGS | 2 | 3 | Lea-Fredericke COTE | 5 - 0 | 4:43 | GSY |

Results

| Pos | Name |
|-----|------------------------------------|
| 1 | Alicia BRIGGS, Lethbridge Kyodokan |
| 2 | Jasmine PITSILIS, St-Hubert |
| 3 | Lea-Fredericke COTE, Shidokan |
| 4 | Camelia PITSILIS, St-Hubert |

Championnat de l'est-Dimanche 12 avril 2015 Edmundston senF -70

Competitors: 6

Competitors A

| # | Name | Grade | Club | 1 | 2 | 3 | Wins | Pts | Pos |
|---|-------------------------|-------|--------------|----|---|----|------|-----|-----|
| 1 | Nancy LANGLAIS | 2k | judotech | | | | 0 | 0 | 3 |
| 2 | Adriana PORTUONDO ISASI | 1d | Boucherville | 10 | | 10 | 2 | 20 | 1 |
| 3 | Allayah COPELAND | 2k+ | Ajax Budokan | 10 | | | 1 | 10 | 2 |

Matches A

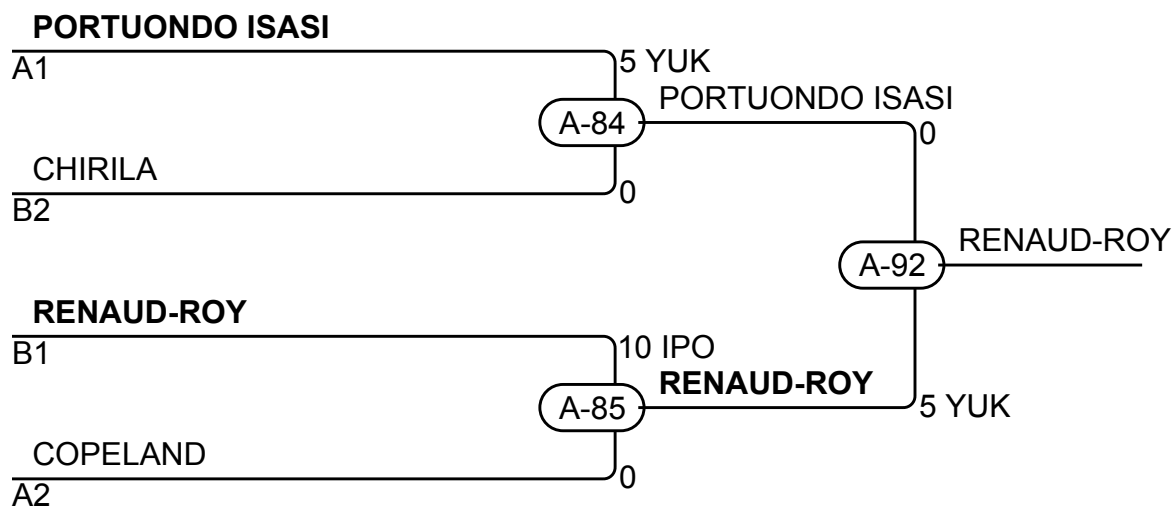
| Match | White | Blue | Result | Time | Code |
|-------|--------------------------------|-------------------------|--------|------|------|
| A-64 | Nancy LANGLAIS 1 2 | Adriana PORTUONDO ISASI | 0 - 10 | 0:39 | WIP |
| A-70 | Nancy LANGLAIS 1 3 | Allayah COPELAND | 0 - 10 | 0:14 | IPO |
| A-78 | Adriana PORTUONDO ISASI 2 3 | Allayah COPELAND | 10 - 0 | 0:28 | IPO |

Competitors B

| # | Name | Grade | Club | 4 | 5 | 6 | Wins | Pts | Pos |
|---|---------------------|-------|----------------------|----|----|---|------|-----|-----|
| 4 | Shannon GREGORY | 2k | Harvey Judo Club | | | | 0 | 0 | 3 |
| 5 | Maria Carla CHIRILA | 1k | Club de judo St-Hyac | 10 | | | 1 | 10 | 2 |
| 6 | Alix RENAUD-ROY | 2d | Seikidokan | 10 | 10 | | 2 | 20 | 1 |

Matches B

| Match | White | Blue | Result | Time | Code |
|-------|----------------------------|---------------------|--------|------|------|
| A-65 | Shannon GREGORY 4 5 | Maria Carla CHIRILA | 0 - 10 | 0:39 | WIP |
| A-71 | Shannon GREGORY 4 6 | Alix RENAUD-ROY | 0 - 10 | 0:31 | IPO |
| A-79 | Maria Carla CHIRILA 5 6 | Alix RENAUD-ROY | 0 - 10 | 0:44 | WIP |



Results

| Pos | Name |
|-----|---|
| 1 | Alix RENAUD-ROY, Seikidokan |
| 2 | Adriana PORTUONDO ISASI, Boucherville |
| 3 | Maria Carla CHIRILA, Club de judo St-Hyac |
| 3 | Allayah COPELAND, Ajax Budokan |

Competitors

| # | Name | Grade | Club | 1 | 2 | 1 | 2 | 1 | 2 | Wins | Pts | Pos |
|---|-----------------------|-------|------------|----|---|---|----|----|---|------|-----|-----|
| 1 | Mitchell MASTROMONACO | 5k | Judo Monde | | | | 10 | | | 1 | 10 | 2 |
| 2 | Craig ADAMS | 3k | judotech | 10 | | | | 10 | | 2 | 20 | 1 |

Matches

| Match | White | | | Blue | Result | Time | Code |
|-------|------------------------------|---|---|--------------------|--------|------|------|
| B-67 | Mitchell MASTROMONACO | 1 | 2 | Craig ADAMS | 0 - 10 | 0:26 | WIP |
| B-74 | Mitchell MASTROMONACO | 1 | 2 | Craig ADAMS | 10 - 0 | 1:09 | IPO |
| B-79 | Mitchell MASTROMONACO | 1 | 2 | Craig ADAMS | 0 - 10 | 1:02 | IPO |

Results

| Pos | Name |
|-----|-----------------------------------|
| 1 | Craig ADAMS, judotech |
| 2 | Mitchell MASTROMONACO, Judo Monde |

Championnat de l'est-Dimanche 12 avril 2015 Edmundston senM +10

Competitors: 4

Competitors

| # | Name | Grade | Club | 1 | 2 | 3 | 4 | Wins | Pts | Pos |
|---|-----------------------|-------|--------------------------------|----|---|----|----|------|-----|-----|
| 1 | Jean-François OUELLET | 1d | Academie de judo Sept-Iles | | | 10 | 10 | 2 | 20 | 2 |
| 2 | James MCMANUS | 2d | Fredericton Judo Clu | 10 | | 10 | 10 | 3 | 30 | 1 |
| 3 | Aaron BROAD | 2d | Fredericton Judo Clu | | | | | 0 | 0 | 4 |
| 4 | Kevin GAUTHIER | 1k | Club de judo Asbestos-Danville | | | 10 | | 1 | 10 | 3 |

Matches

| Match | White | | | Blue | Result | Time | Code |
|-------|------------------------------|---|---|-----------------------|--------|------|------|
| B-60 | Jean-François OUELLET | 1 | 2 | James MCMANUS | 0 - 10 | 1:47 | IPO |
| B-61 | Aaron BROAD | 3 | 4 | Kevin GAUTHIER | 0 - 10 | 3:34 | WIP |
| B-64 | Jean-François OUELLET | 1 | 3 | Aaron BROAD | 10 - 0 | 0:37 | IPO |
| B-65 | James MCMANUS | 2 | 4 | Kevin GAUTHIER | 10 - 0 | 2:17 | IPO |
| B-71 | Jean-François OUELLET | 1 | 4 | Kevin GAUTHIER | 10 - 0 | 1:34 | WIP |
| B-72 | James MCMANUS | 2 | 3 | Aaron BROAD | 10 - 0 | 0:29 | WIP |

Results

| Pos | Name |
|-----|---|
| 1 | James MCMANUS, Fredericton Judo Clu |
| 2 | Jean-François OUELLET, Academie de judo Sept-Iles |
| 3 | Kevin GAUTHIER, Club de judo Asbestos-Danville |
| 4 | Aaron BROAD, Fredericton Judo Clu |

Competitors

| # | Name | Grade | Club | 1 | 2 | 3 | 4 | 5 | Wins | Pts | Pos |
|---|------------------|-------|-------------------------|----|----|----|----|---|------|-----|-----|
| 1 | Fabrice IMBERT | 1k | Judo Monde | | | | | | 0 | 0 | 5 |
| 2 | Daulet MERKEBAEV | 1k | Taifu Judo Club | 10 | | 10 | 10 | | 3 | 30 | 2 |
| 3 | Robin ENMAN | 3d | Lennox Island Judo Club | 10 | | | 10 | | 2 | 20 | 3 |
| 4 | Luc DUBE | 1d | Judo Donini Univestrie | 10 | | | | | 1 | 10 | 4 |
| 5 | Ryan PROULX | 2d | Dojo PERROT Shima | 10 | 10 | 10 | 10 | | 4 | 40 | 1 |

Matches

| Match | White | | | Blue | Result | Time | Code |
|-------|------------------|---|---|------------------|--------|------|------|
| A-62 | Luc DUBE | 4 | 5 | Ryan PROULX | 0 - 10 | 0:46 | IPO |
| A-63 | Fabrice IMBERT | 1 | 2 | Daulet MERKEBAEV | 0 - 10 | 0:54 | WIP |
| A-68 | Robin ENMAN | 3 | 4 | Luc DUBE | 10 - 0 | 1:39 | IPO |
| A-69 | Fabrice IMBERT | 1 | 5 | Ryan PROULX | 0 - 10 | 0:49 | IPO |
| A-76 | Daulet MERKEBAEV | 2 | 3 | Robin ENMAN | 10 - 0 | 1:52 | IPO |
| A-77 | Fabrice IMBERT | 1 | 4 | Luc DUBE | 0 - 10 | 0:31 | IPO |
| A-82 | Robin ENMAN | 3 | 5 | Ryan PROULX | 0 - 10 | 0:35 | IPO |
| A-83 | Daulet MERKEBAEV | 2 | 4 | Luc DUBE | 10 - 0 | 1:36 | IPO |
| A-88 | Fabrice IMBERT | 1 | 3 | Robin ENMAN | 0 - 10 | 0:37 | WIP |
| A-89 | Daulet MERKEBAEV | 2 | 5 | Ryan PROULX | 0 - 10 | 0:06 | IPO |

Results

| Pos | Name |
|-----|--------------------------------------|
| 1 | Ryan PROULX, Dojo PERROT Shima |
| 2 | Daulet MERKEBAEV, Taifu Judo Club |
| 3 | Robin ENMAN, Lennox Island Judo Club |
| 4 | Luc DUBE, Judo Donini Univestrie |
| 5 | Fabrice IMBERT, Judo Monde |

Championnat de l'est-Dimanche 12 avril 2015 Edmundston senM -60

Competitors: 3

Competitors

| # | Name | Grade | Club | 1 | 2 | 3 | Wins | Pts | Pos |
|---|-----------------|-------|----------------------|----|----|---|------|-----|-----|
| 1 | Vincent MIRAN | 1d | Judo jikan | | | | 0 | 0 | 3 |
| 2 | Benjamin DAVIAU | 1d | Club de judo St-Hyac | 10 | | | 1 | 10 | 2 |
| 3 | Ossama MAHMOUD | 1k | Kaizen Judo Club | 10 | 10 | | 2 | 20 | 1 |

Matches

| Match | White | | | Blue | Result | Time | Code |
|-------|-----------------|---|---|-----------------|--------|------|------|
| B-68 | Vincent MIRAN | 1 | 2 | Benjamin DAVIAU | 0 - 10 | 1:05 | HAN |
| B-75 | Vincent MIRAN | 1 | 3 | Ossama MAHMOUD | 0 - 10 | 1:01 | IPO |
| B-80 | Benjamin DAVIAU | 2 | 3 | Ossama MAHMOUD | 0 - 10 | 2:15 | IPO |

Results

| Pos | Name |
|-----|---------------------------------------|
| 1 | Ossama MAHMOUD, Kaizen Judo Club |
| 2 | Benjamin DAVIAU, Club de judo St-Hyac |
| 3 | Vincent MIRAN, Judo jikan |

Championnat de l'est-Dimanche 12 avril 2015 Edmundston senM -66

Competitors: 3

Competitors

| # | Name | Grade | Club | 1 | 2 | 3 | Wins | Pts | Pos |
|---|-------------------|-------|----------------------|---|----|----|------|-----|-----|
| 1 | Nicolas SANTOS | 1d | Bresil | | 10 | 10 | 2 | 20 | 1 |
| 2 | Gueorgui POKLITAR | 2d | Academie Martiale Se | | | 10 | 1 | 10 | 2 |
| 3 | Aidan SKAF | 1k | Regina Y Judo Club | | | | 0 | 0 | 3 |

Matches

| Match | White | | | Blue | Result | Time | Code |
|-------|-------------------|---|---|-------------------|--------|------|------|
| C-58 | Nicolas SANTOS | 1 | 2 | Gueorgui POKLITAR | 10 - 0 | 4:15 | IPO |
| C-64 | Nicolas SANTOS | 1 | 3 | Aidan SKAF | 10 - 0 | 1:10 | IPO |
| C-70 | Gueorgui POKLITAR | 2 | 3 | Aidan SKAF | 10 - 0 | 2:05 | IPO |

Results

| Pos | Name |
|-----|---|
| 1 | Nicolas SANTOS, Bresil |
| 2 | Gueorgui POKLITAR, Academie Martiale Se |
| 3 | Aidan SKAF, Regina Y Judo Club |

Competitors

| # | Name | Grade | Club | 1 | 2 | 1 | 2 | 1 | 2 | Wins | Pts | Pos |
|---|-----------------|-------|------------|---|----|---|----|---|---|------|-----|-----|
| 1 | Guillaume RIOUX | 4k | Amqui | | 10 | | 10 | | | 2 | 20 | 1 |
| 2 | Thomas DIONNE | 3k | Seikidokan | | | | | | | 0 | 0 | 2 |

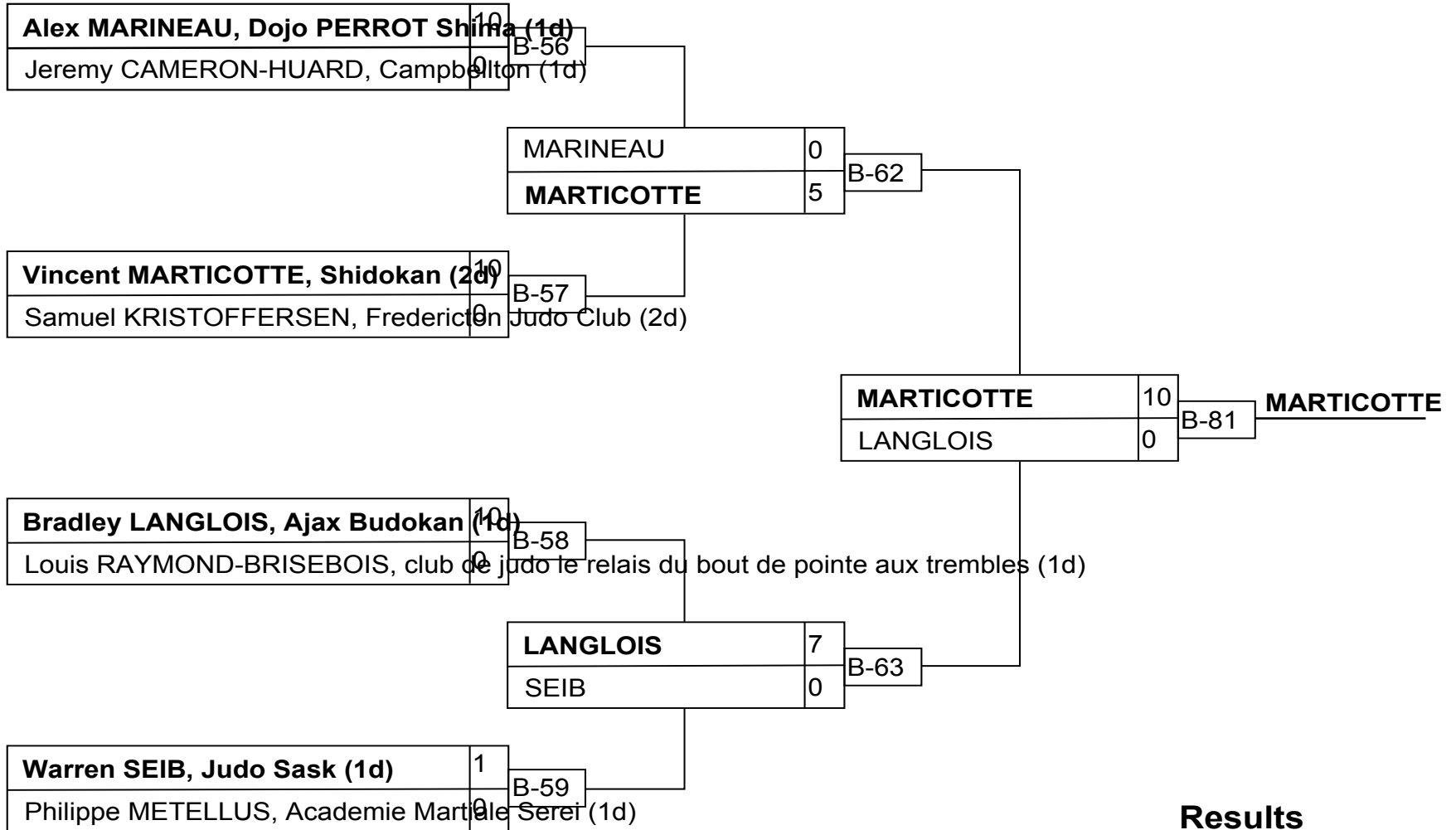
Matches

| Match | White | | | Blue | Result | Time | Code |
|-------|------------------------|---|---|---------------|--------|------|------|
| C-59 | Guillaume RIOUX | 1 | 2 | Thomas DIONNE | 10 - 0 | 0:53 | IPO |
| C-65 | Guillaume RIOUX | 1 | 2 | Thomas DIONNE | 10 - 0 | 0:00 | IPO |
| C-71 | Guillaume RIOUX | 1 | 2 | Thomas DIONNE | | | |

Results

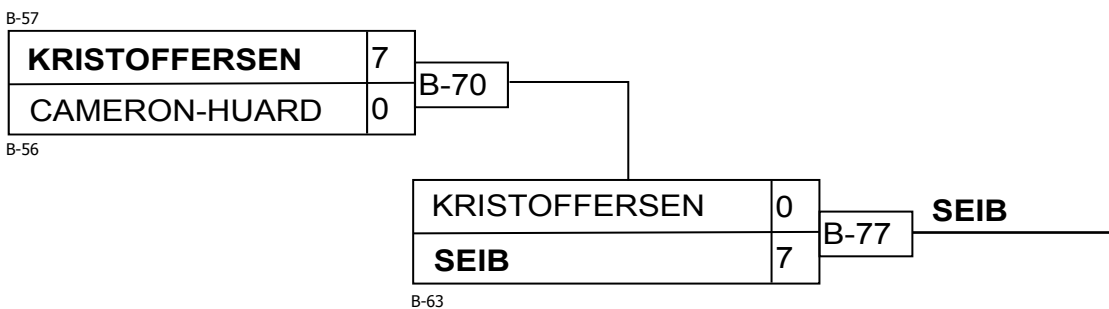
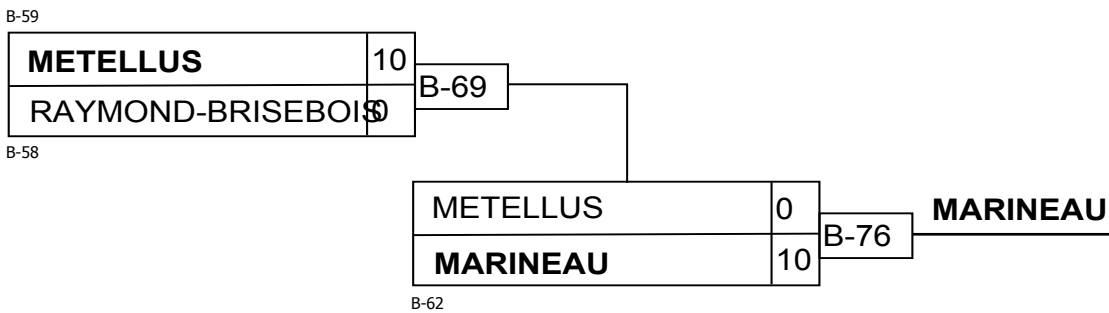
| Pos | Name |
|-----|----------------------------|
| 1 | Guillaume RIOUX, Amqui |
| 2 | Thomas DIONNE , Seikidokan |

senM -73kg



Results

| Pos | Name |
|-----|--|
| 1 | Vincent MARTICOTTE, Shidokan (2d) |
| 2 | Bradley LANGLOIS, Ajax Budokan (1d) |
| 3 | Alex MARINEAU, Dojo PERROT Shiffa (1d) |
| 3 | Warren SEIB, Judo Sask (1d) |



Competitors

| # | Name | Grade | Club | 1 | 2 | 3 | Wins | Pts | Pos |
|---|----------------|-------|-------------------------|---|----|---|------|-----|-----|
| 1 | William DORAN | 3k | Fredericton Judo Club | | 10 | 7 | 2 | 17 | 1 |
| 2 | Steve LAPOINTE | 5k | Central Edmundston | | | | 0 | 0 | 3 |
| 3 | David MOREL | 3k | Academie Martiale Serei | | 10 | | 1 | 10 | 2 |

Matches

| Match | White | | | Blue | Result | Time | Code |
|-------|----------------------|---|---|--------------------|--------|------|------|
| B-66 | William DORAN | 1 | 2 | Steve LAPOINTE | 10 - 0 | 1:01 | IPO |
| B-73 | William DORAN | 1 | 3 | David MOREL | 7 - 0 | 5:00 | WAZ |
| B-78 | Steve LAPOINTE | 2 | 3 | David MOREL | 0 - 10 | 2:24 | IPO |

Results

| Pos | Name |
|-----|--------------------------------------|
| 1 | William DORAN, Fredericton Judo Club |
| 2 | David MOREL, Academie Martiale Serei |
| 3 | Steve LAPOINTE, Central Edmundston |

Competitors A

| # | Name | Grade | Club | 1 | 2 | 3 | Wins | Pts | Pos |
|---|-------------------------|-------|---------------------------|---|---|----|------|-----|-----|
| 1 | Jeremie POIRIER | 1d | Club de judo St-Hyacinthe | | | 10 | 1 | 10 | 2 |
| 2 | Olivier GOBEIL-ST-AMAND | 1d | Seikidokan | 7 | | 10 | 2 | 17 | 1 |
| 3 | Devin DI JULIO | 1k | Lennox Island Judo Club | | | | 0 | 0 | 3 |

Matches A

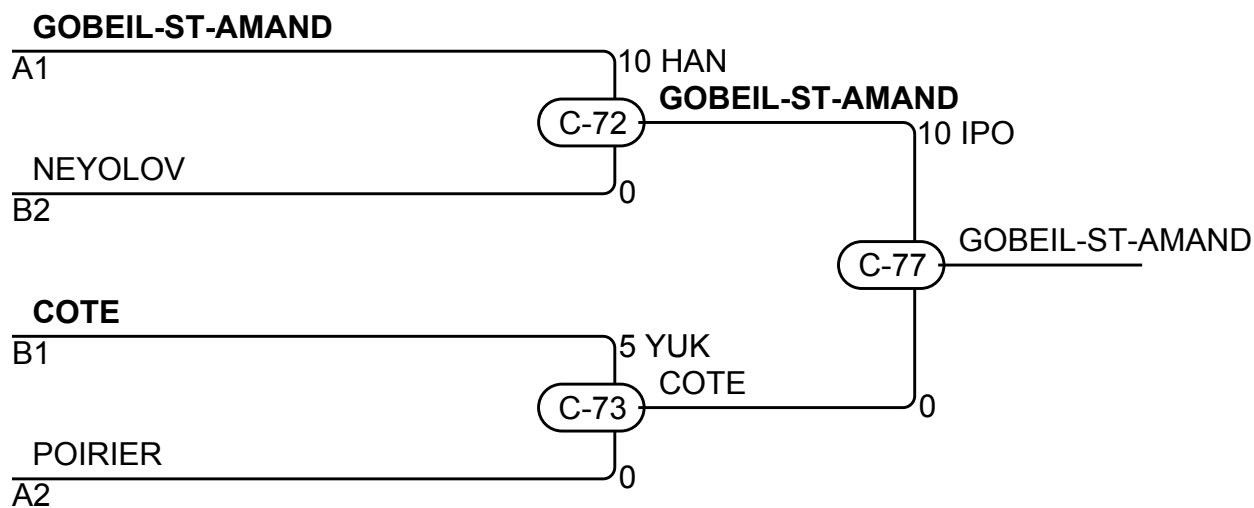
| Match | White | Blue | Result | Time | Code |
|-------|--------------------------------|-------------------------|--------|------|------|
| C-52 | Jeremie POIRIER 1 2 | Olivier GOBEIL-ST-AMAND | 0 - 7 | 5:00 | WAZ |
| C-60 | Jeremie POIRIER 1 3 | Devin DI JULIO | 10 - 0 | 0:48 | IPO |
| C-66 | Olivier GOBEIL-ST-AMAND 2 3 | Devin DI JULIO | 10 - 0 | 2:01 | IPO |

Competitors B

| # | Name | Grade | Club | 4 | 5 | 6 | Wins | Pts | Pos |
|---|---------------|-------|----------------------|----|---|----|------|-----|-----|
| 4 | Danil NEYOLOV | 1k | Taifu Judo Club | | | 10 | 1 | 10 | 2 |
| 5 | Maxim COTE | 1d | Academie de judo Sep | 10 | | 10 | 2 | 20 | 1 |
| 6 | Ryan LEWIS | 2k | TJC Judo Club | | | | 0 | 0 | 3 |

Matches B

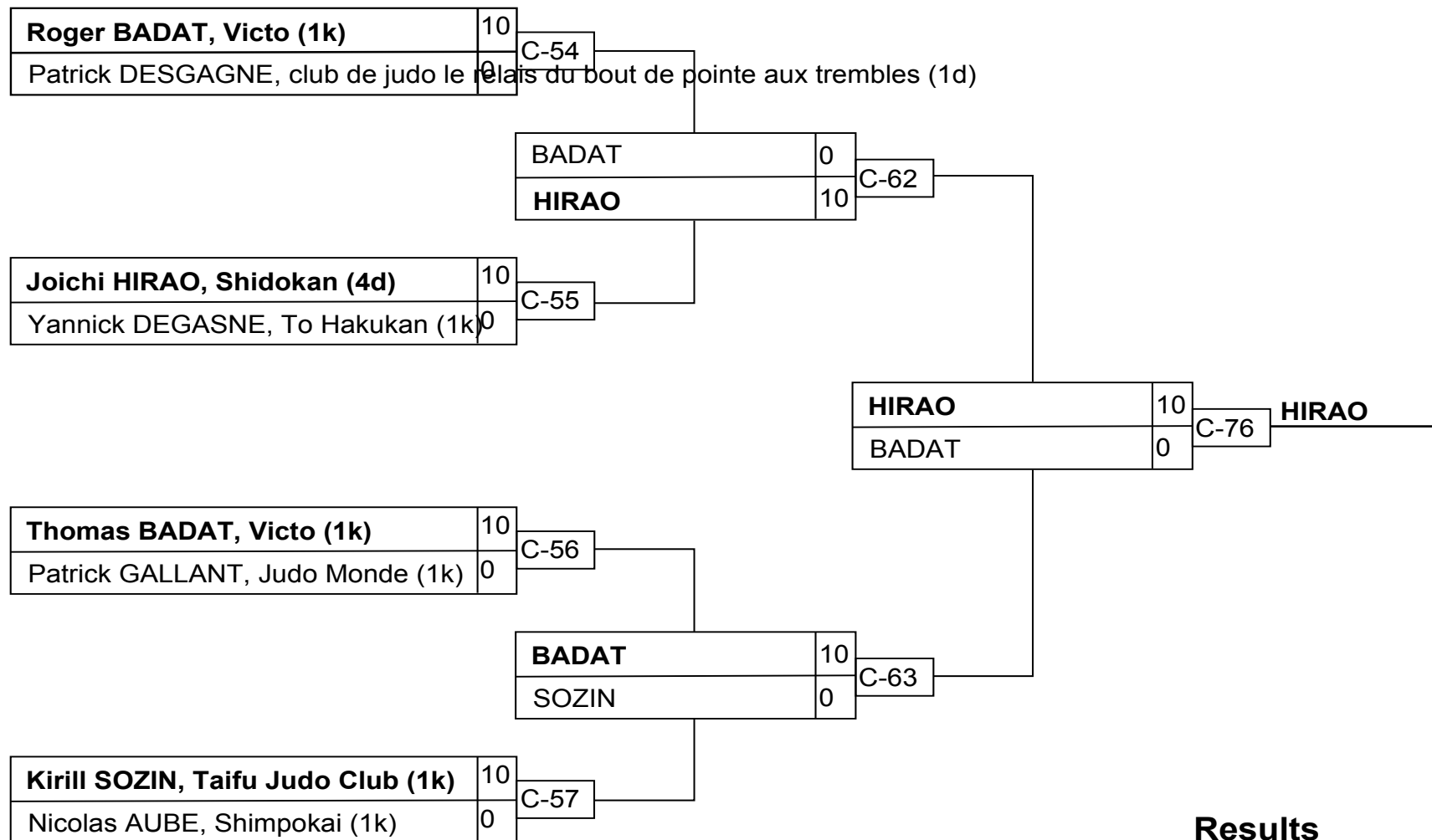
| Match | White | Blue | Result | Time | Code |
|-------|----------------------|------------|--------|------|------|
| C-53 | Danil NEYOLOV 4 5 | Maxim COTE | 0 - 10 | 1:44 | IPO |
| C-61 | Danil NEYOLOV 4 6 | Ryan LEWIS | 10 - 0 | 1:59 | WIP |
| C-67 | Maxim COTE 5 6 | Ryan LEWIS | 10 - 0 | 1:08 | IPO |



Results

| Pos | Name |
|-----|--|
| 1 | Olivier GOBEIL-ST-AMAND, Seikidokan |
| 2 | Maxim COTE, Academie de judo Sep |
| 3 | Danil NEYOLOV, Taifu Judo Club |
| 3 | Jeremie POIRIER, Club de judo St-Hyacinthe |

senM -90kg



Results

| Pos | Name |
|-----|------------------------------------|
| 1 | Joichi HIRAO, Shidokan (4d) |
| 2 | Thomas BADAT, Victo (1k) |
| 3 | Roger BADAT, Victo (1k) |
| 3 | Kirill SOZIN, Taifu Judo Club (1k) |

